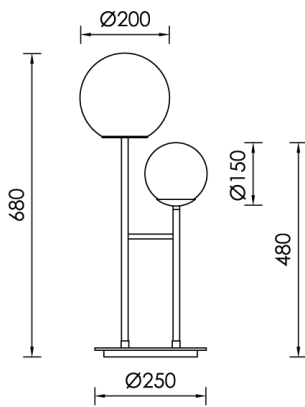


## AVOLO M A 2 TABLE 2F



## TECHNICAL DETAILS

- Housing:** Pressed formed steel  
**Diffuser:** Opal glass  
**IP:** 40  
**IK:** 02
- Lamp replacement without tools

## Colors

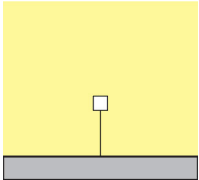


## Lighting Sources



**Classic / E27 / 230V LED Lamp**      **Classic/E27/230V Halogen Lamp**

## Lighting



**Headoffice - Showroom:** 13 Sofokli Venizelou Ave., Likovrisi, P.O. Box 14123, Athens, Greece. Tel: +30 210 28 51 304 Fax: +30 210 28 51 306

**Factory - Financial Services:** 5 Kefalovrisou Str., Monomati, Aharnai, P.O. Box 13677 Athens, Greece. Tel: +30 210 62 08 230 Fax: +30 210 62 08 262

**website:** [www.bright.gr](http://www.bright.gr) | **e-mail:** [info@bright.gr](mailto:info@bright.gr)