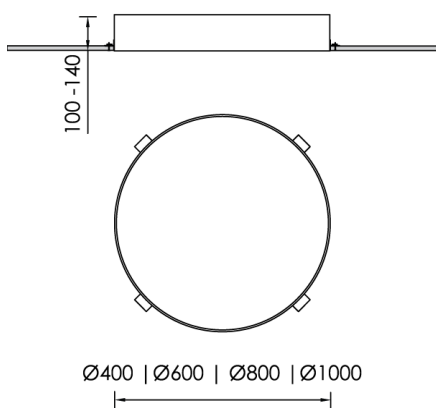
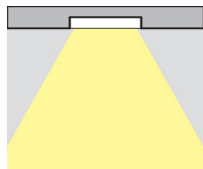


FUGA 2 ROUND TRIMLESS A



Lighting



TECHNICAL DETAILS

| | |
|-----------------------|--|
| Housing : | Extruded aluminium |
| Diffuser : | Extruded PMMA |
| Control Gear : | Remote electronic transformer |
| IP : | 40 |
| IK : | 04 |
| | <ul style="list-style-type: none"> LED replacement with tools EMG type available |

Colors



-10
White



-20
Black



-90
Anoxal matt

Accessories



CONVERSION
KIT+BATTERY

Lighting Sources


LED Strip 15W/m 24V | CR>80 | 3000K / 4000K Ø

Ø600 - 45W - 3000K - 6000lm / 4000K - 6300lm
 Ø800 - 81W - 3000K - 10800lm / 4000K - 11340lm
 Ø1000 - 132W - 3000K - 17600lm / 4000K - 18480lm
 Ø1200 - 198W - 3000K - 26400lm / 4000K - 27720lm

**Lifetime: >30.000h | Energy Saving A+
 Cutting per 10cm or 6 LEDs**

Headoffice - Showroom: 13 Sofokli Venizelou Ave., Likovrisi, P.O. Box 14123, Athens, Greece. Tel: +30 210 28 51 304 Fax: +30 210 28 51 306

Factory - Financial Services: 5 Kefalovrisou Str., Monomati, Aharnai, P.O. Box 13677 Athens, Greece. Tel: +30 210 62 08 230 Fax: +30 210 62 08 262

website: www.bright.gr | **e-mail:** info@bright.gr