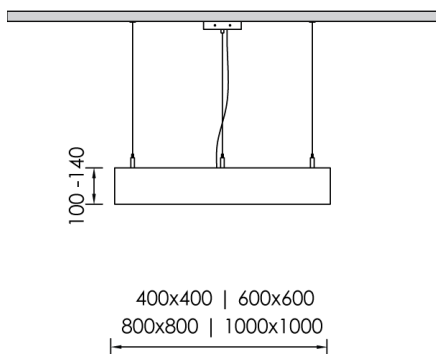
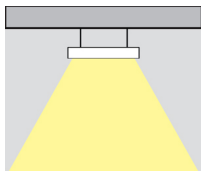


FUGA 2 SQUARE SP



Lighting



TECHNICAL DETAILS

Housing :	Extruded aluminium
Diffuser :	Extruded PMMA
Control Gear :	Built-in electronic transformer
IP :	40
IK :	04
	• LED replacement with tools

Colors



-10
White



-20
Black



-90
Anoxal matt

Accessories



CONVERSION
KIT+BATTERY



AUTO WIRE
SUPPORT BLOCK

Lighting Sources

**LED Strip 24V | CRI>80 | 3000K / 4000K**

120 LED/m - 9.6W/m - 720Lm/m / 780Lm/m - cutting per 5cm

70 LED/m - 15W/m - 2000Lm/m / 2100Lm/m - cutting per 10cm

Lifetime: >30.000h | Energy Saving A+

Headoffice - Showroom: 13 Sofokli Venizelou Ave., Likovrisi, P.O. Box 14123, Athens, Greece. Tel: +30 210 28 51 304 Fax: +30 210 28 51 306

Factory - Financial Services: 5 Kefalovrisou Str., Monomati, Aharnai, P.O. Box 13677 Athens, Greece. Tel: +30 210 62 08 230 Fax: +30 210 62 08 262

website: www.bright.gr | **e-mail:** info@bright.gr