

MINI AVOLO 16 SP



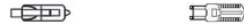
TECHNICAL DETAILS

| | |
|-----------------------|----------------------------------|
| Housing : | Pressed formed steel |
| Diffuser : | Opal glass |
| Power Supply : | 220-240V at 50/60Hz |
| Watt : | Max 6W LED / Max 48W Halogen |
| IP : | 40 |
| IK : | 02 |
| | • Lamp replacement without tools |

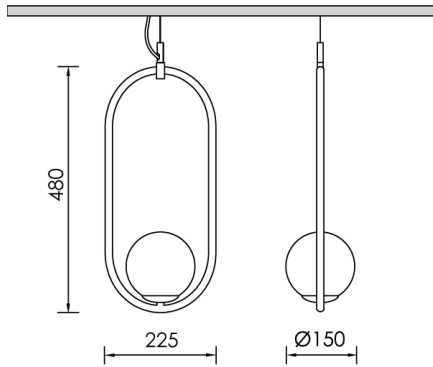
Colors

| | | | | |
|--------------|---------------|-------------|-------------|-----------------|
| | | | | |
| -10 White | -20 Black | -30 Grey | -40 Gold | -75 Titanium |
| | | | | |
| -55 Inox | -26 Copper | | | |

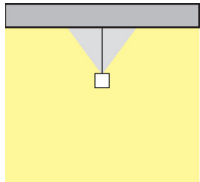
Lighting Sources



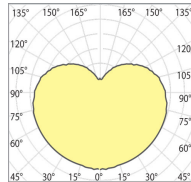
| | |
|------------------------|----------------------------|
| Halopin/G9/230V | Halopin / G9 / 230V |
| Halogen Lamp | LED Lamp |



Lighting



Photometric



Headoffice - Showroom: 13 Sofokli Venizelou Ave., Likovrisi, P.O. Box 14123, Athens, Greece. Tel: +30 210 28 51 304 Fax: +30 210 28 51 306

Factory - Financial Services: 5 Kefalovrisou Str., Monomati, Aharnai, P.O. Box 13677 Athens, Greece. Tel: +30 210 62 08 230 Fax: +30 210 62 08 262

website: www.bright.gr | **e-mail:** info@bright.gr