

## MINI AVOLO 16 WALL



## TECHNICAL DETAILS

<b>Housing :</b>	Pressed formed steel
<b>Diffuser :</b>	Opal glass
<b>Power Supply :</b>	220-240V at 50/60Hz
<b>Watt :</b>	Max 2x6W LED / Max 2x48W Halogen
<b>IP :</b>	40
<b>IK :</b>	02
	• Lamp replacement without tools

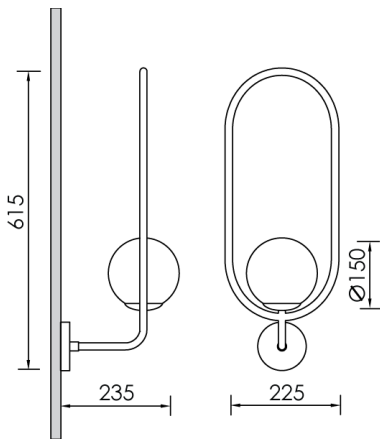
## Colors

-10  
White-20  
Black-30  
Grey-40  
Gold-75  
Titanium-55  
Inox-26  
Copper

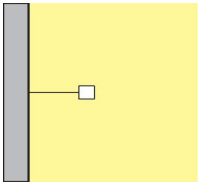
## Lighting Sources



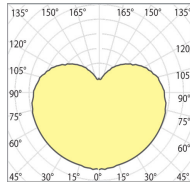
**Halopin/G9/230V Halopin / G9 / 230V**  
Halogen Lamp LED Lamp



## Lighting



## Photometric



**Headoffice - Showroom:** 13 Sofokli Venizelou Ave., Likovrisi, P.O. Box 14123, Athens, Greece. Tel: +30 210 28 51 304 Fax: +30 210 28 51 306

**Factory - Financial Services:** 5 Kefalovrisou Str., Monomati, Aharnai, P.O. Box 13677 Athens, Greece. Tel: +30 210 62 08 230 Fax: +30 210 62 08 262

**website:** [www.bright.gr](http://www.bright.gr) | **e-mail:** [info@bright.gr](mailto:info@bright.gr)