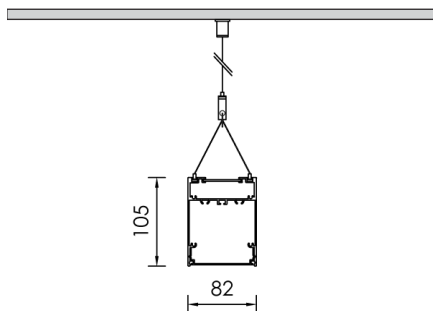


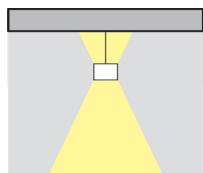
NOTUS 14 UP DOWN LINEAR LED



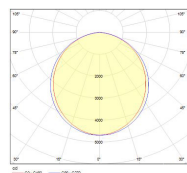
L max: 4551mm



Lighting



Photometric



TECHNICAL DETAILS

Housing :	Extruded aluminium
Diffuser :	Extruded PMMA Cross
Control Gear :	Built-in electronic driver
UGR :	≤19 with special covers
Transmittance :	70%
IP :	40
IK :	04
	• LED replacement with tools

Colors

-10
White-20
Black-90
Anoxal matt

Accessories

CONVERSION
KIT+BATTERYAUTO WIRE
SUPPORT BLOCKDOUBLE SATIN
COVERPRISMATIC
OPAL COVERPRISMATIC
FILM COVERTUBO
COVERCROSS
COVER

Lighting Sources

**2x Linear LED | CR180**

3000K / 4000K | 3step MacAdam | Ripple < 3% | Lifetime>50.000h | LM80 test report

For more info please see below at Linear LED PDF**Headoffice - Showroom:** 13 Sofokli Venizelou Ave., Likovrisi, P.O. Box 14123, Athens, Greece. Tel: +30 210 28 51 304 Fax: +30 210 28 51 306**Factory - Financial Services:** 5 Kefalovrisou Str., Monomati, Aharnai, P.O. Box 13677 Athens, Greece. Tel: +30 210 62 08 230 Fax: +30 210 62 08 262**website:** www.bright.gr | **e-mail:** info@bright.gr